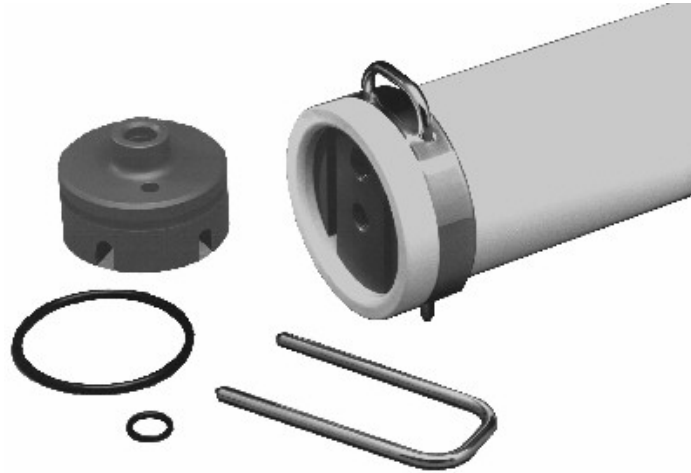


Hydrocomponents and Technologies, Inc.

VESSELS & ACCESSORIES PVC U-Pin Vessels 220 PSI

Features

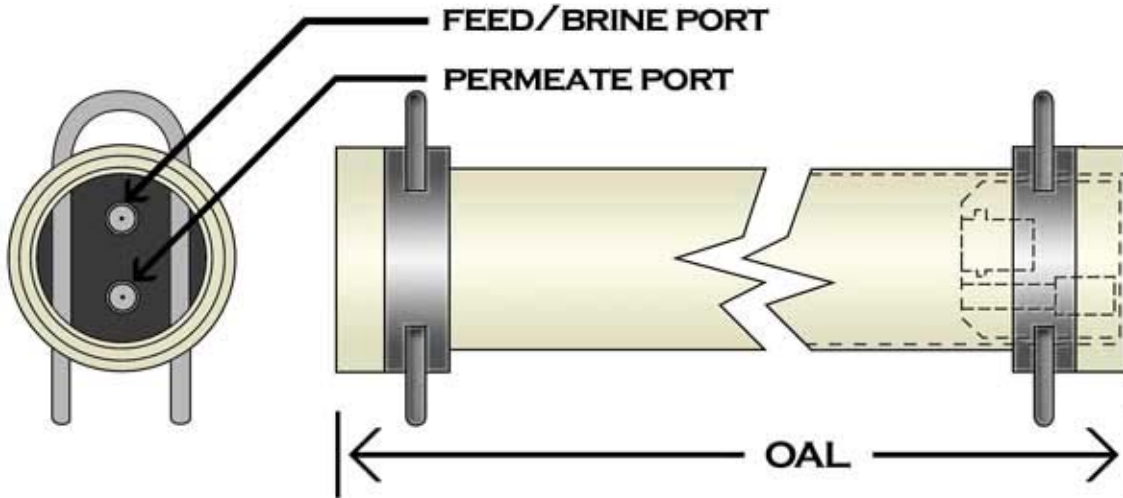


2000P Series	2.0" internal diameter	220 PSI Work Pressure
2500P Series	2.5" internal diameter	220 PSI Work Pressure
4000.2S Series	4.0" internal diameter	220 PSI Work Pressure

- Ethylene propylene FDA approved "O" rings.
- White PVC housing, NSF approved.
- Sturdy PVC collars.
- SS reinforcing rings on 4000.2S series
- Self-locking 304 stainless steel U-Pin retaining devices for easy installation.
- Universal style models also manufactured to fit membrane of your choice.
- Flush mount easy aligning PVC end plugs make fitting installation effortless.
- Maximum separation between permeate port and feed/concentrate port allow the use of large fittings.
- 2.0" standard sizes include 26".
- 2.5" and 4" standard sizes include 14", 21", 40" and 80".
- Other lengths available upon request.

Hydrocomponents and Technologies, Inc.

VESSELS & ACCESSORIES PVC U-Pin Vessels 220 PSI



VESSEL SERIES #	VESSEL NOMINAL ID in.	WORK (PSI)	MODEL #	MEM. SIZE	# OF MEM.	OAL IN.	PORT SIZES (NPT)		
							FEED	BRINE	PERM.
2000P	2.0"	220PSI	2026P	2.0"x26"	1	28.5	1/8	1/8	1/8
2500P	2.5"	220 PSI	2514P	2.5"x14"	1	16.5	1/4	1/4	1/4
			2521P	2.5"x21"	1	23.5	1/4	1/4	1/4
			2526P	2.5"x26"	1	28.5	1/4	1/4	1/4
			2540P	2.5"x40"	1	42.5	1/4	1/4	1/4
4000.2 S	4.0"	220 PSI	4014.2 S	4.0"x14"	1	17.5	1/2	1/2	1/2
			4021.2 S	4.0"x21"	1	24.5	1/2	1/2	1/2
			4026.2 S	4.0"x40"	1	29.5	1/2	1/2	1/2
			4040.2 S	4.0"x40"	1	43.5	1/2	1/2	1/2
			4080.2 S	4.0"x40"	2	83.5	1/2	1/2	1/2
			*U4040.2 S	4.0"x40"	1	46.0	1/2	1/2	1/2
			*U4080.2 S	4.0"x40"	2	86.0	1/2	1/2	1/2
			*U40120.2 S	4.0"x40"	3	126.0	1/2	1/2	1/2