

# Hydrocomponents and Technologies, Inc.

## VESSELS & ACCESSORIES

### 4 Inch Fiberglass Pressure Vessels

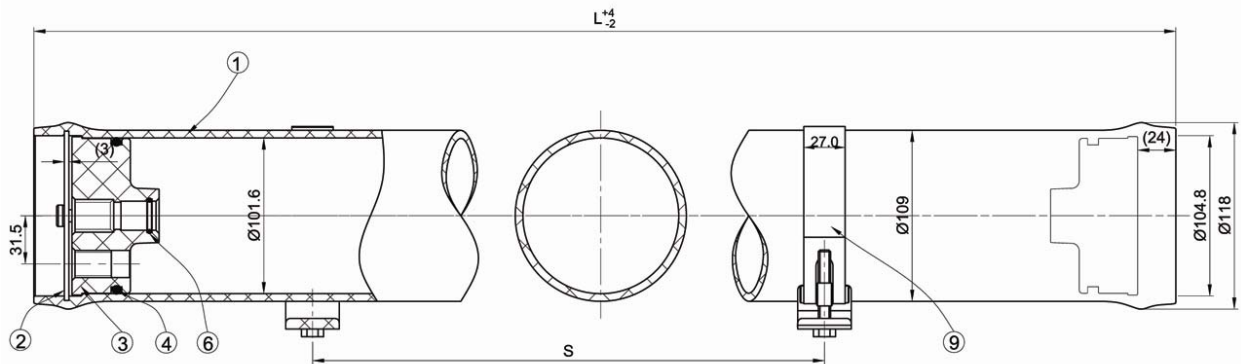
**300 PSI**

Work pressure



#### Features

- Made with high quality FRP with an advanced winding process.
- Designed for continuous, long-term use as housings for reverse osmosis.
- Maximum operation pressure 300 PSI (21kg/cm<sup>2</sup>).
- The filament wound FRP shell is composed of continuous fiber glass impregnated with heated epoxy resin system.
- Allowable water PH range is 3-10 under normal operation conditions and 2-12 when vessel is periodically cleaned.



Model No.	No. of membranes	Membrane Size	L (Inches)	Weight (lbs)
PV-4040-FRP	1	40x40	44.3	10.2
PV-4080-FRP-300	2	40x40	84.3	14.6

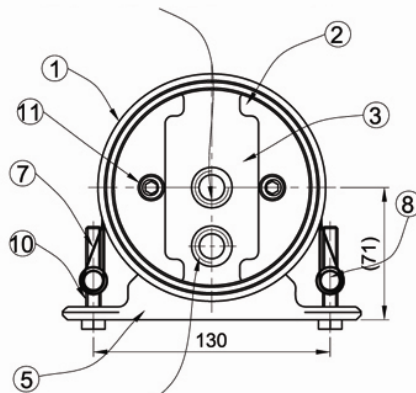
# Hydrocomponents and Technologies, Inc.

## VESSELS & ACCESSORIES

### 4 Inch Fiberglass Pressure Vessels 300 PSI



PERMEATE PORT  
OPTION P--1/2"NPT FEMALE THREAD :



FEED/CONCENTRATE  
OPTION A--1/2"NPT FEMALE THREAD  
OPTION B--3/4"NPT FEMALE THREAD

	DESCRIPTION	QTY	MATERIAL
1	4"MPV(300PSI)	1	EPOXY+FIBER GLASS
2	BAFFLE	4	316L
3	PERMEATE PORT	2	PVC OR PP
4	BIG SEAL	2	EPDM
5	SADDLE	2	POLYURETHANE (BLACK)
6	MPV SEAL	2	EPDM
7	STRAP	2	304
8	STRAP NUT	4	Hpb59-1
9	STRAP PROTECTIVE JACKET	2	EPDM
10	STRAP SCREW	4	M8*50 GRADE 8.8
11	ALLEN SCREW	4	M8*20 GRADE 8.8