

# Hydrocomponents and Technologies, Inc.

## VESSELS & ACCESSORIES

### 8 Inch Fiberglass Pressure Vessels 300 PSI

Work pressure

Conforms to ISO9001:9002 management system



#### Features

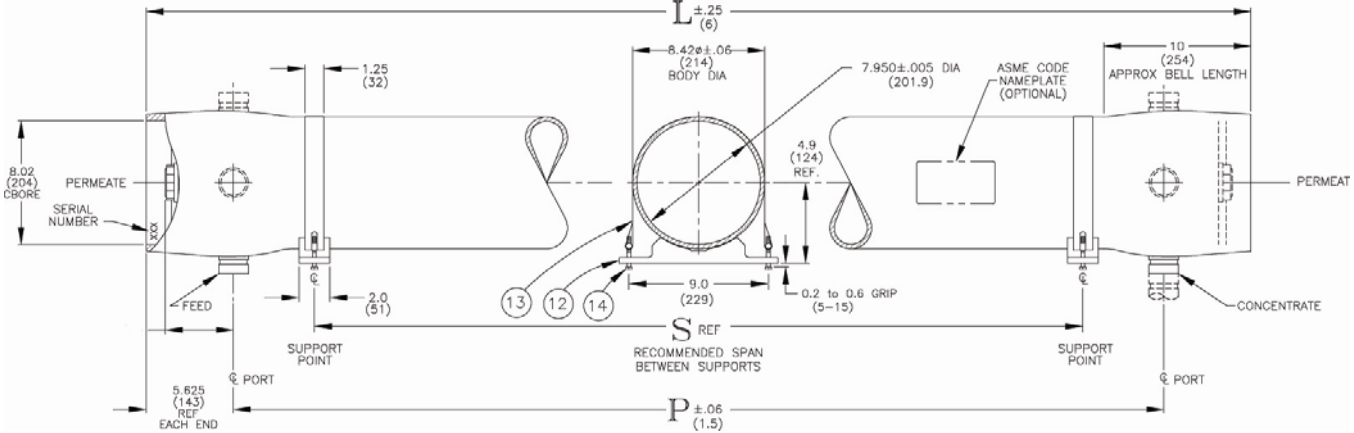
- Made with high quality FRP with an advanced winding process.
- Designed for continuous, long-term use as housings for reverse osmosis.
- Maximum operation pressure 300 PSI (21kg/cm<sup>2</sup>).
- The intake rated trust cone reduces pressure drop at high speed flow rates. Its cone design guarantees high compression resistant properties.
- These vessels are available to house 1, 2, 3, 4, 5, and up to 6 eight inch membranes.
- The filament wound FRP shell is composed of continuous fiber glass impregnated with heated epoxy resin system.
- Allowable water PH range is 3-10 under normal operation conditions and 2-12 when vessel is periodically cleaned.
- The housings are painted white with a clear polyurethane coating, which protects the housing against environmental damage and assures a long lasting clean appearance.
- Straps and saddles included with each vessel.

**304 Stainless steel Victaulic clamps & 304SS Victaulic nipples included!**

# Hydrocomponents and Technologies, Inc.

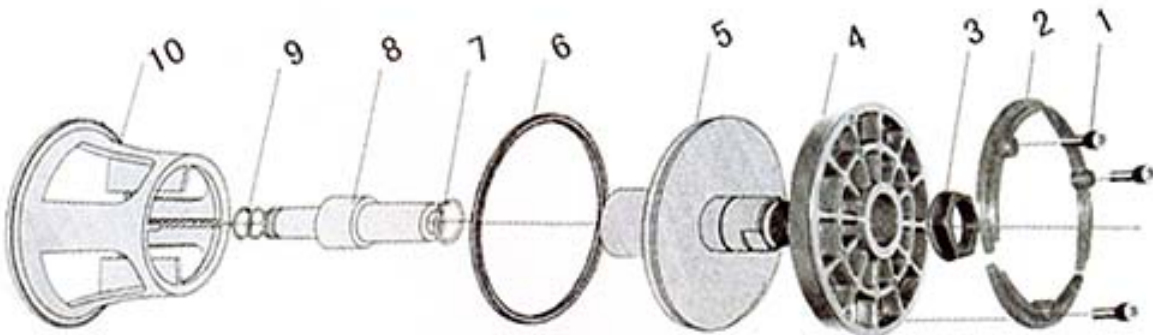
## VESSELS & ACCESSORIES

### 8 Inch Fiberglass Pressure Vessels 300 PSI



**8" 300 PSI FRP vessel selection chart**

Model #	# of Membranes Per Housing	L (OAL)	# of supports	S (Span between supports)	Net Weight (kg)
PV-8040SE-FRP-300	1	58 in. (1472mm)	2	28 in. (711x1mm)	28
PV-8080SE-FRP-300	2	99 in. (2488mm)	2	56 in. (1422x1mm)	37
PV-80120SE-FRP-300	3	138 in. (3504mm)	2	80 in. (2032x1mm)	46
PV-80160SE-FRP-300	4	178 in. (4520mm)	3	64.02 in. (1626x2mm)	55
PV-80200SE-FRP-300	5	218 in. (5536mm)	3	78 in. (1981x2mm)	64
PV-80240SE-FRP-300	6	258 in. (6552mm)	3	92.01 in. (2337x2mm)	74



1. Retaining bolt
2. 3-piece retaining ring
3. Head nut
4. End cap
5. Supporting end cap plate
6. O.D. O-ring
7. I.D. O-Ring
8. Membrane adapter
9. Adapter O-rings
10. Thrust Cone

VESSELS & ACCESSORIES

8 Inch Fiberglass Pressure Vessels

300 PSI

Work pressure

